

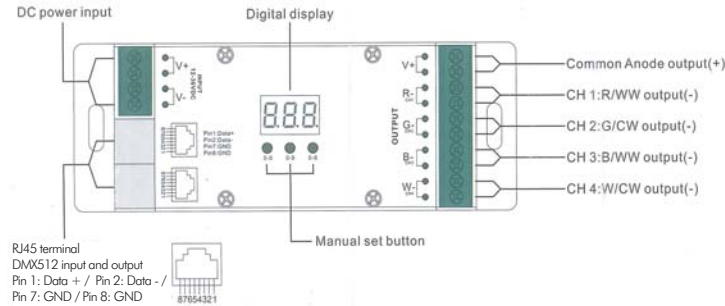
Universal series DMX512 decoder

09.2102R.04032



Important: Read All Instructions Prior to Installation

Function introduction



Product Data

No.	Input Voltage	Output Current	Output Power	Remarks	Size(LxWxH)
1	12-36VDC	4x8A	4x(96-288)W	Constant voltage	165x60x32mm
2	12-36VDC	4x350mA	4x(4.2-12.6)W	Constant current	165x60x32mm
3	12-36VDC	4x700mA	4x(8.4-25.2)W	Constant current	165x60x32mm

- Standard DMX512 compliant control interface, enable to set the DMX address freely. And show address Via digital numeric display.
- Two types available(Constant Voltage, Constant Current), suitable for different LED lamps.
- RJ 45 terminal, easy to be connected
- Addressable. Address can be freely set through the digital display which is very intuitive and easy to use.
- To work with power repeater to expand output power unlimitedly.
- Waterproof grade: IP20

Safety & Warnings

- DO NOT install with power applied to device.
- DO NOT expose the device to moisture.

Operation

Through buttons to set desired DMX512 address, click button 1 to set "hundreds" position, 2 to set "tens" position, 3 to set "unit" position.



Choose Channel

Press and hold down 2nd and 3rd buttons simultaneously for 2 seconds, cH digital display flashes, then click 1st button to choose 1/2/3/4, 3 means total 3 channels, 4 means total 4 channels. Press and hold down any button for >2 seconds to confirm the 1, 2, 3 or 4 channels. The factory preset default is 4 channels outputs.



NOTE:

For example, when we set address to 001
When select 1cH, all four channels will be the same address 001.
When select 2cH, channel one and channel three will be the same address 001, channel two and channel four will be 002.
When select 3cH, channel 1, 2, 3 will be address 001, 002, 003, and channel 4 address is also 001
When select 4cH, channel 1, 2, 3, 4 will be address 001, 002, 003, 004.

Set DMX address

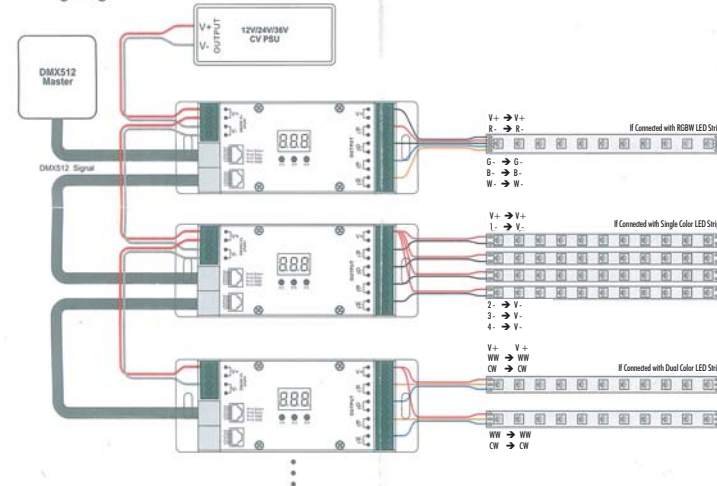
Press and hold down 1st button for 2 seconds, digital display flashes to set the required DMX address, then press and hold down any button for >2 seconds to confirm.



Choose PWM frequency

Press and hold down 1st and 3rd buttons simultaneously for 2 seconds, digital display flashes to show P-c.
P means PWM frequency, click 1st button to show, "1" means 1500Hz, "2" means 200Hz.
c means dimming options, click 3rd button to show, "1" means logarithmic dimming, "2" means linear dimming.
Press and hold down any button for >2 seconds to confirm the setting.
The factory preset default is PWM frequency 1500Hz with linear dimming. 1-2

Wiring diagram



Product Dimension

